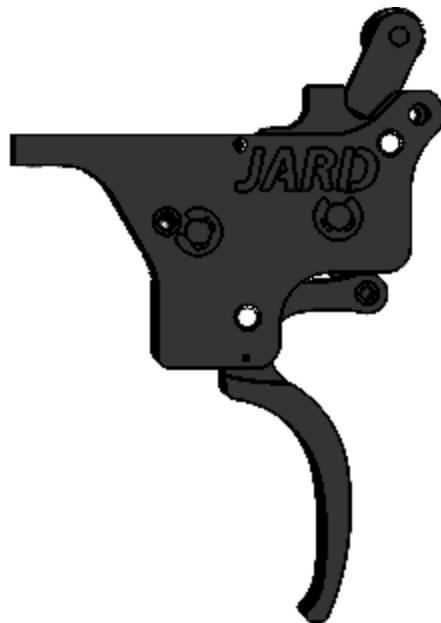




**CZ 457**

*Operators Instruction Manual*



3149 Nest Ave. – Sheldon, IA 51201  
Phone: 712-324-7409  
Email: [support@jardinc](mailto:support@jardinc) – [www.jardinc.com](http://www.jardinc.com)

## **WARNING**

This firearm is intended for use only by experienced competitive shooters and professionals. You must take responsibility for your own actions. We will not be responsible for any loss, injury, or death resulting from the use or misuse of this product.

The handling and use of firearm bears with a certain unavoidable risks, like sky diving and rock climbing. If you are not willing to accept responsibility for your own actions, guns are not for you.

The use of any custom parts or modifications may void any warranty from the manufacturer of your firearm.

Returns will not be accepted on any parts that have been modified.

If you do not have a thorough understanding of the CZ 457 Trigger Assembly and the purpose and function of all the parts, do not attempt to install this system. Have it installed by an experienced gunsmith.

## JARD CZ 457 Replacement Trigger

### Installation

1. Verify the gun is unloaded and remove the stock from the receiver.
2. Remove the trigger mounting screw and the mounting pin attaching the trigger housing to the receiver.
3. Remove factory trigger assembly and install the JARD trigger assembly.
4. Install mounting pin followed by the mounting screw and then the stock.

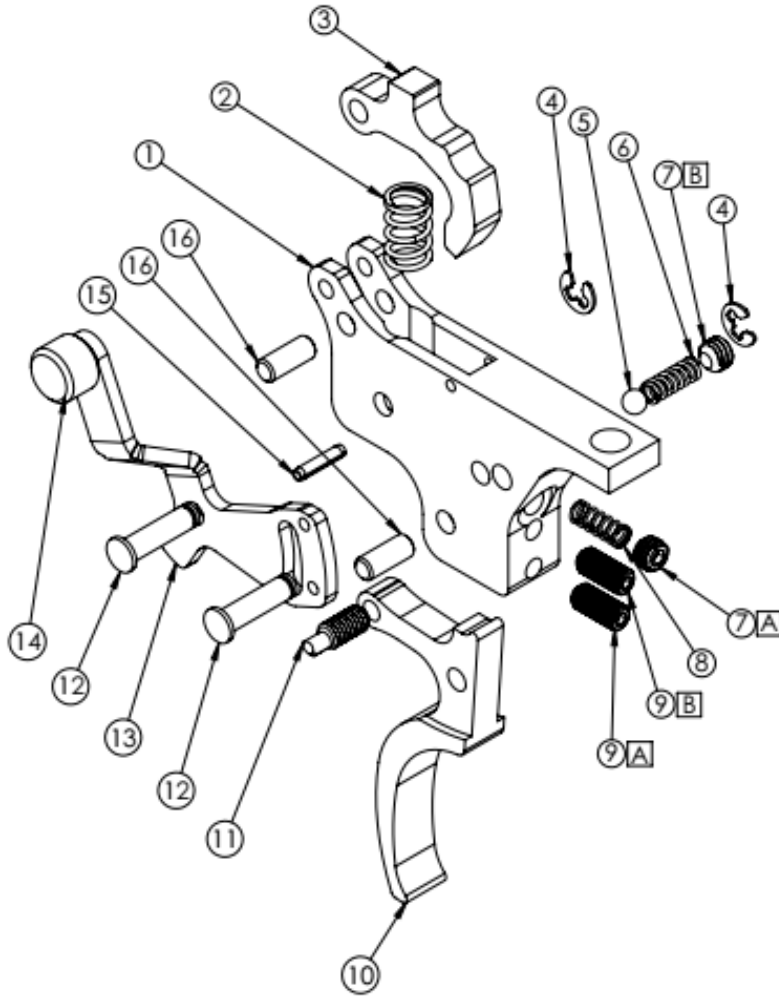
### Trigger Adjustment

Read directions completely before beginning procedure.

Your JARD trigger system comes adjusted from the factory and should be a replacement only procedure. However should decide to modify the factory settings, below are some guidelines.

1. Verify the gun is unloaded and remove the stock from the receiver.
2. The sear engagement screw (9A) may now be adjusted. Turn the screw counterclockwise several turns and close the bolt leaving the action cocked. Turn the safety selector to the fire position. Slowly turn the screw clockwise until the sear is released (gun fires). Turn the screw slightly back counterclockwise until safe sear engagement is achieved. (Note: There must be sufficient sear engagement to allow reliable safety function, we recommend ½ turn.)
3. Check functioning of the trigger by slamming the bolt (closing it sharply) several times. If the sear is not released when closing sharply, it may be possible to adjust for less sear engagement. However, if the sear is released, more sear engagement and/or pull weight increase is needed.
4. Once the sear engagement has been successfully set, the safety can be adjusted. With the action cocked, turn the safety selector to the safe position. If the safety cannot be engaged, the safety screw (11) must be turned to allow the safety plate to move. Once the safety is on the on position, turn the safety screw until it engages the safety plate. With the safety is on and the action cocked, there should be no movement in the trigger and the selector should move back and forth freely.
5. To adjust the over-travel screw (9B), with the action cocked and the safety off, turn the screw clockwise until it contacts the trigger. Pulling the trigger should not release the sear. While pulling on the trigger, slowly turn the screw counterclockwise until the sear is released; it should be turned slightly further to allow for clearance and to avoid binding. If there is not enough clearance, the sear may not always be released when pulling the trigger.
6. The final adjustment can be made to fine tune your trigger pull. The spring tension screw (7A) can be turned in or out to increase or decrease trigger pull.
7. Install the receiver into the stock and preform function and safety checks.

## CZ 457 Assembly Parts Breakdown List



ITEM NO.	PART NO.	DESCRIPTION	QTY.
1	5182	Trigger Housing	1
2	2918	Sear Spring	1
3	5184	Sear	1
4	1254	E-Clip	2
5	1163	.125 Ball	1
6	1061	Spring	1
7	2952	(A)Pull weight Screw (B)Safety Detent Screw	2
8	1616 1058 1059 1060 1061	Pull Weight Spring 8oz 10oz 14oz 16oz 20oz	1
9	1155	Sear Screw (A) Safety Screw (B)	2
10	5183	Trigger	1
11	1444	Safety Screw	1
12	1452	Retaining Pin	2
13	5185	Safety	1
14	1231	Safety Knob	1
15	1164	Roll Pin	1
16	3159	Dowel Pin	2

### JARD, Inc.

3149 Nest Ave. – Sheldon, IA 51201

Phone: 712-324-7409 – Email: support@jardinc.com

www.jardinc.com