

- Screw (2) is trigger pull weight. It is pre-set at about three pounds. It can be adjusted to change the trigger pull. Turn it in to increase the trigger pull and out to decrease the trigger pull. The trigger pull should not be reduced below one and a half pounds.

Screw (3) is the overtravel adjustment. It is pre-set at the factory. Do not adjust it too tightly. If it is adjusted too tightly, the trigger will not be able to move thus the gun will not fire.

Screw (4) is sear engagement (creep). On Featherweight Deluxe models the amount of sear engagement is dictated by the safety plunger. Adjust sear engagement only when the safety is in the Safe position to prevent the possibility of reducing the sear engagement to the point where the safety cannot be applied.

FEATHERWEIGHT MODELS

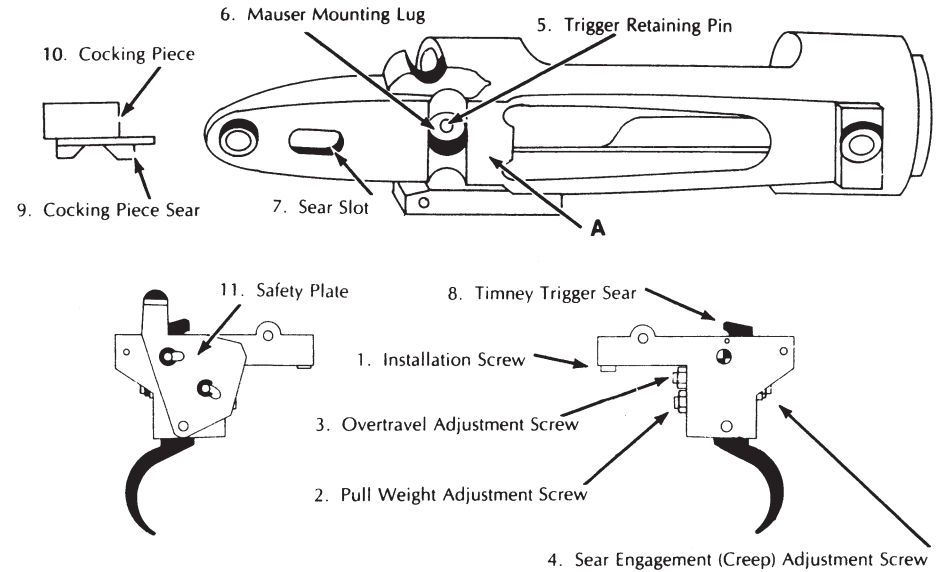
- Installation of the Featherweight model is the same as for the Featherweight Deluxe since the triggers are the same except for the side safety on the Deluxe. The Featherweight uses the Mauser bolt safety.
- If the Mauser bolt safety cannot be applied,

some metal must be removed from the cocking piece at point (10) by grinding or filing. Keep the surface flat. Remove only a small amount at a time, reassemble bolt and check operation of safety. When the safety is working properly the trigger sear will be lifted out of contact with the trigger tip. Operation of the sear can be observed through the sight hole on the left side of the housing. Do NOT reduce sear engagement to the point where a sharp blow or other impact will release the sear.

- Check operation of safety. Replace bolt. Apply Mauser bolt safety. Pull trigger. Release safety. If firing pin falls, safety is not withdrawing cocking piece sear far enough so that the trigger sear will disengage. File or grind carefully at point (9) to correct.

We recommend installation of a Timney Speedlock Spring to improve the firing pin fall and help eliminate misfires. Price \$6.95.

As a service to our customer, Timney Mfg., Inc. will install your Timney trigger for \$40.00 plus \$35.00 shipping and handling. When shipping your rifle, please ship it in a plastic rifle case inside a cardboard box



MAUSER FEATHERWEIGHT AND FEATHERWEIGHT DELUXE

- Open action. Remove any ammunition. Remove bolt.
- Remove action from stock.
- Remove old trigger assembly by removing retaining pin (5).

NOTE

Some Mauser actions have a step at point A that can cause misalignment. File the step so that the trigger fits.

Be careful when inserting retaining pin (5). DO NOT USE FORCE as you could break off the lug on the housing.

- Put Timney trigger over lug (6) and insert retaining pin (5). Tighten Installation Screw (1). Installation Screw (1) must be tight at all times.

NOTE

If necessary, carefully bend the safety plate (11) so that it clears the receiver.

- If sear does not move freely, remove Timney trigger and lengthen sear slot (7) until the sear can move freely.

On some older model Mauser actions the web at point (7) is thicker than normal, thus the

Timney trigger sear will not stick through far enough to contact the cocking piece sear. To correct this problem order a high sear from Timney.

If the cocking piece sear (9) and the Timney trigger sear (8) come in contact too soon when the bolt is worked rapidly, the sears can slip by and the bolt will not cock. To correct this problem, carefully grind or file cocking piece sear at point (9) until they meet properly.

- It may be necessary to open the inletting in the stock so that the side safety plate (11) does not bind. Check the trigger slot in the trigger guard. If trigger binds, relieve the edges of the slot in the trigger guard.
- On some Mauser models the bolt sleeve and/or the extractor, and/or the rear locking lug may interfere with the side safety plate (11). To correct this problem: Carefully bend the safety plate (11) to give sufficient clearance so that there is no interference in either the FIRE or SAFE positions.

NOTE

On the Mauser 98 models, the safety can be applied only when the bolt is open or the gun is cocked.

TIMNEY ADJUSTABLE TRIGGER GUARANTEE

Material and workmanship: This TIMNEY trigger has been carefully inspected, tested, and adjusted to give a lifetime of dependable service. Every possible care has been exercised in its design and construction. If any defect in workmanship or material should develop under conditions of normal use and service, necessary repairs, including parts and labor will be made at no charge to the purchaser, providing that our inspection reveals the trigger was not damaged through accident, alteration, misuse, abuse, or other causes beyond our control. We neither assume nor imply any oral or statutory warranties, and we neither assume nor authorize any person to assume for us any obligation or liability in connection with this trigger. Repairs or disassembly of this trigger in any manner without specific factory authorization voids this guarantee.

TIMNEY MFG., INC. 3940 W. CLARENDON AVE., PHOENIX, AZ 85019 (602) 274-2999