

Ruger 10/22 Trigger System

Operators Instruction Manual



3149 Nest Ave. - Sheldon, IA 51201

Phone: 712-324-7409

Email: jardusa@live.com - www.jardinc.com

3126 11/2013

Warning

This fire control system is intended for use only by experienced competitive shooters and professionals. You must take responsibility for your own actions. We will not be responsible for any loss, injury, or death resulting from the use or misuse of this product.

The handling and use of firearm bears with a certain unavoidable risks, like sky diving and rock climbing. If you are not willing to accept responsibility for your own actions, guns are not for you.

The use of any custom parts or modifications may void any warranty from the manufacturer of your firearm.

Returns will not be accepted on any parts that have been modified.

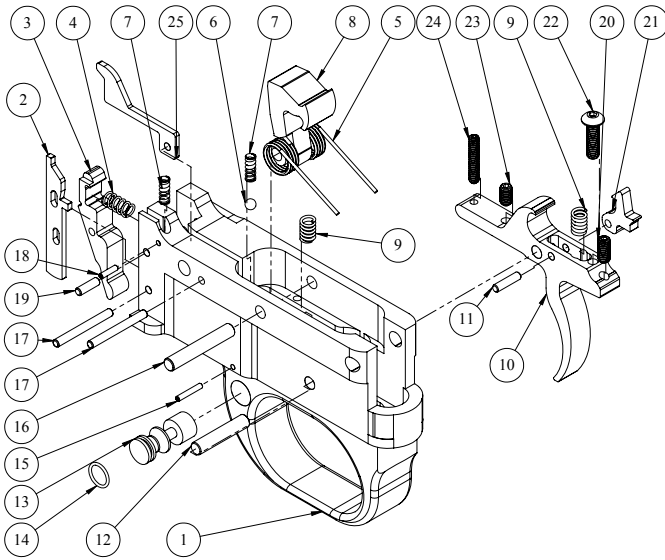
If you do not have a thorough understanding of the Ruger 10/22 trigger system and the purpose and function of all the parts, do not attempt to install this system. Have it installed by an experienced gunsmith.

Read the instructions completely before beginning the procedure.

Your 10/22 trigger assembly comes adjusted from the factory and should be a replacement only procedure, however should you decide to modify the factory setting, below are some suggestions.

1. Remove the magazine and visually check the chamber before further handling of the rifle, to verify it is not loaded.
2. Disassemble the stock from the receiver and remove trigger assembly from receiver.
3. The second from the front screw is the over travel screw. There should be minimal over travel when properly adjusted
4. Adjust the sear engagement screw (the rear screw on the trigger) by turning screw clockwise (with the hammer cocked). From the point where the sear releases the hammer, then turn the screw counterclockwise until there is sufficient sear engagement to function safely and properly. (whenever this screw is adjusted the disconnect and safety screws must be readjusted).
5. Adjust the disconnect screw so when the hammer is in the cocked position you can push down on the hammer and feel it brush against the hook of the disconnect as much as possible without hooking.
6. To set the safety screw (front screw) place the hammer in the cocked position. Place safety in the safe position. Turn the screw clockwise until it contacts the safety then back it off until the safety moves freely.
7. Perform all safety and function checks.
8. Reinstall all components.

Ruger 10/22 Trigger Parts Breakdown List



ITEM	PART #	QTY	DESCRIPTION
1	3064	1	10/22 HOUSING
2	3066	1	10/22 HOLD OPEN BLADE
3	1157	1	MAGAZINE LATCH, RUGER 10/22
4	2918	1	COMPRESSION SPRING
5	3070	1	HAMMER SPRING
6	1163	1	SAFETY DETENT BALL
7	1058	2	COMPRESSION SPRING
8	1169	1	HAMMER, RUGER 10/22
9	1011	1	TRIGGER RETURN SPRING (1#)
-	1013	-	TRIGGER RETURN SPRING (1.5#)
-	1014	-	TRIGGER RETURN SPRING (2#)
-	1016	-	TRIGGER RETURN SPRING (2.5#)
*	1017	1	TRIGGER RETURN SPRING (3#)
10	3083	1	TRIGGER, ADJUSTABLE 10/22
11	1166	1	DISCONNECT PIN
12	1168	1	TRIGGER PIN
13	1162	1	SAFETY
14	2857	1	SAFETY O-RING
15	2406	1	ROLL PIN
16	1171	1	HAMMER PIN
17	1156	2	MAGAZINE LATCH/EJECTOR PIN
18	2543	1	ROLL PIN
19	1352	1	DOWEL PIN
20	1155	1	SEAR ADJUSTMENT SCREW
21	1167	1	ADJUSTABLE DISCONNECT
22	1187	1	DISCONNECT ADJUSTMENT SCREW
23	1123	1	OVER TRAVEL SCREW
24	3084	1	SAFETY SCREW
25	1173	1	EJECTOR

JARD, Inc.

3149 Nest Ave. - Sheldon, IA 51201

Phone: 712-324-7409 - Email: jardinc@excite.com

www.jardinc.com