

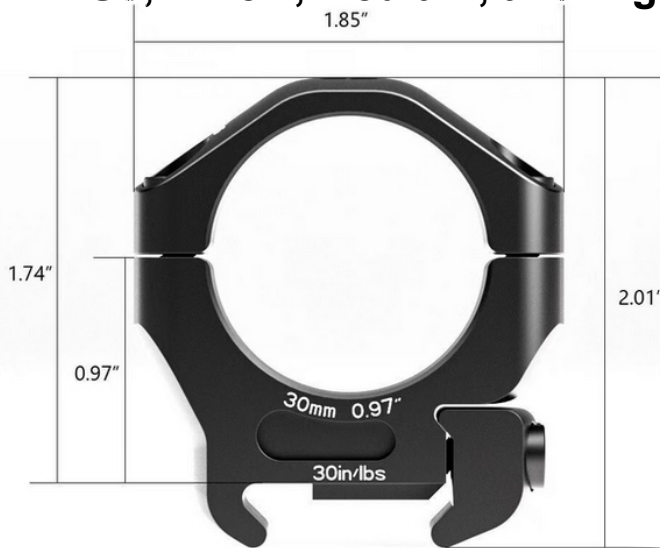


Scope Ring Height Clarification

Warne Measures from the Base to the Bottom of the Tube

Arken Measures from the Base to the Center of the Tube

So,... Low, Medium, and High are Different for Each Brand

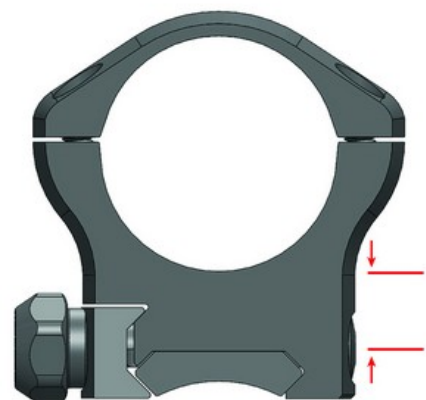
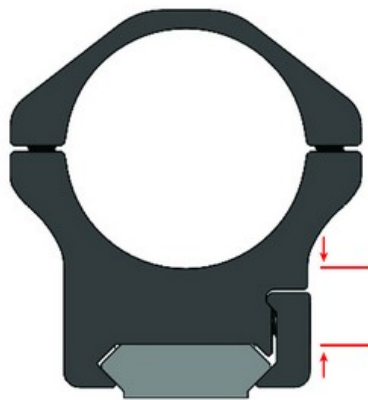
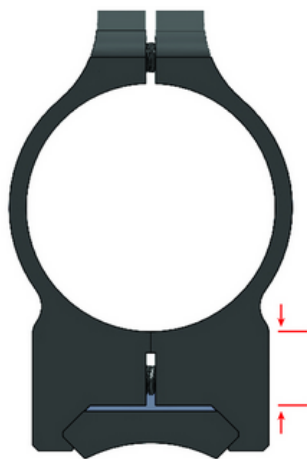


Arken Optics

Tube Diameter and Height

- 34mm - 0.92 Low
- 34mm - 1.26 Medium
- 34mm - 1.45 High
- 30mm - 0.97 Low
- 30mm - 1.26 Medium

Warne Rings



RING HEIGHT	DIMENSION
Low	.250"
Medium	.375"
High	.525"

RING HEIGHT	DIMENSION
Low	.250"
Medium	.375"
High	.525"

RING HEIGHT	DIMENSION
Low	.275"
Medium	.400"
High	.550"