

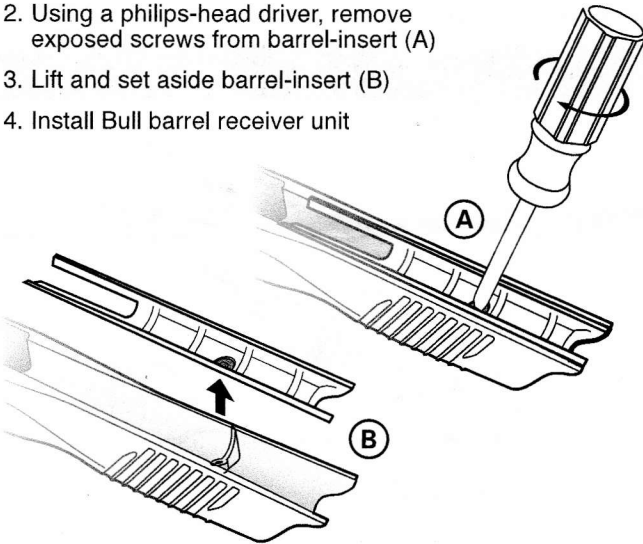
TK22 - 10/22 Takedown® Stock

CONNECT 10/22 TAKEDOWN RIFLE BARREL

Insert the barrel into the receiver, rotate clockwise until it clicks into place. You should feel some resistance when turning the barrel assembly, but it should not be difficult. **IMPORTANT:** If further adjustment is needed, remove the barrel and tighten or loosen the adjustment knob accordingly. Using finger pressure, tighten the adjustment knob by rotating it counterclockwise one or two (1-2) more clicks. Then reinstall barrel. *NOTE: Refer to Ruger factory Takedown Manual for exact steps and safety precautions.*

BARREL INSERT

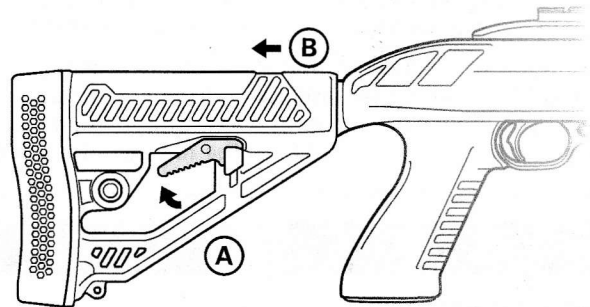
1. If necessary to accommodate bull barrel, remove standard barrel-insert
2. Using a philips-head driver, remove exposed screws from barrel-insert (A)
3. Lift and set aside barrel-insert (B)
4. Install Bull barrel receiver unit



ADJUSTABLE REAR STOCK

The four position rear stock is adjustable in length from 11"-14" (or 10"-13" with recoil pad removed).

1. To adjust stock length, squeeze and hold rear adjustment lever (A).
2. Slide rear portion of stock to desired length and release lever (B). Rear-stock will automatically engage at the nearest corresponding position. To ensure engagement, push or pull on rear portion of stock.



TACTRED™ MONOPOD (NOT INCLUDED)

1. Verify your firearm is unloaded. Remove the barrel-receiver unit from your stock
2. Remove endcap from stock grip handle (A)
3. Insert TacTRED into stock grip handle (B)
4. Look through stock's barrel-receiver cavity and align screw holes (C)
5. Insert and tighten provided assembly screw using philips-head screwdriver (D)

