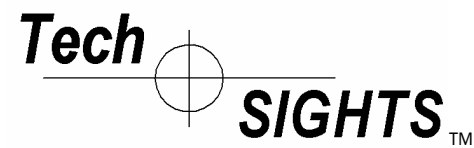
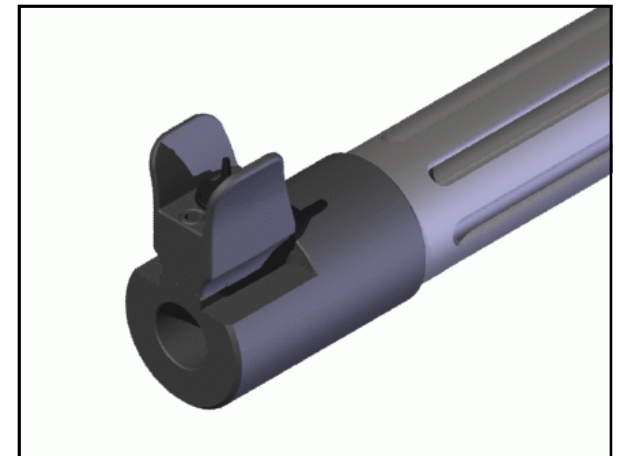


Precision Shooting Accessories

**INSTRUCTIONS**  
for the  
**.920 Barrel Dovetail Adaptor**



Tech-SIGHTS, LLC  
Hartsville, SC 29550

Phone: 843-332-8222  
Email: [sales@Tech-SIGHTS.com](mailto:sales@Tech-SIGHTS.com)  
[www.Tech-SIGHTS.com](http://www.Tech-SIGHTS.com)

## Assembly Instructions for .920 Barrel Dovetail Adaptor

1. Clean surfaces of the Barrel Sleeve Bore of the Adaptor and the end of the .920 Barrel as shown in Figure 1.

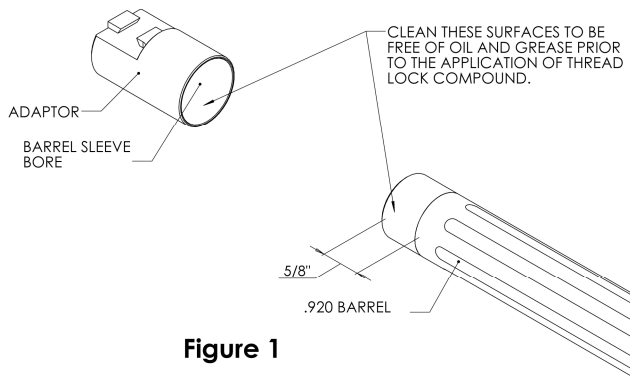


Figure 1

2. Apply a thread lock compound (Medium strength – available at most hardware or automotive parts stores) to the surfaces indicated in Figure 2.

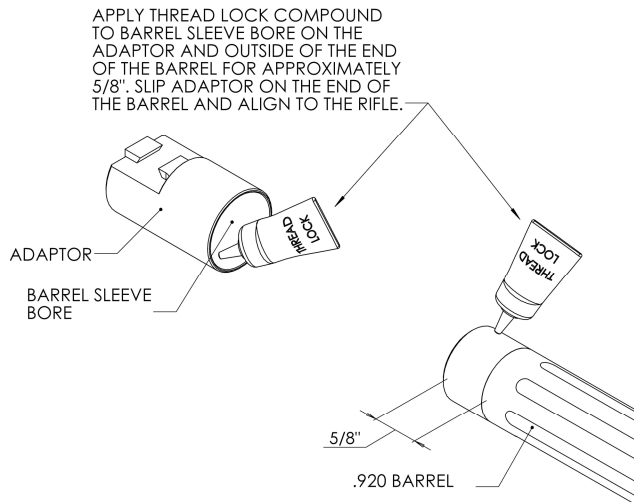


Figure 2

3. Slip the Adaptor over the end of the Barrel and align the Adaptor to the rifle using a rod, ink pen or other object as shown in Figure 3 or an alternate method shown in Figure 4.

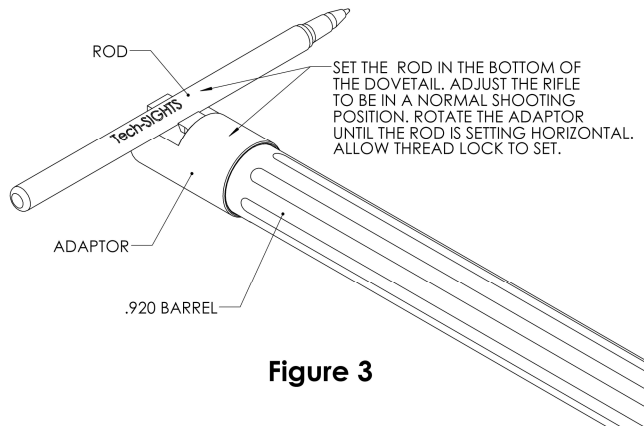


Figure 3

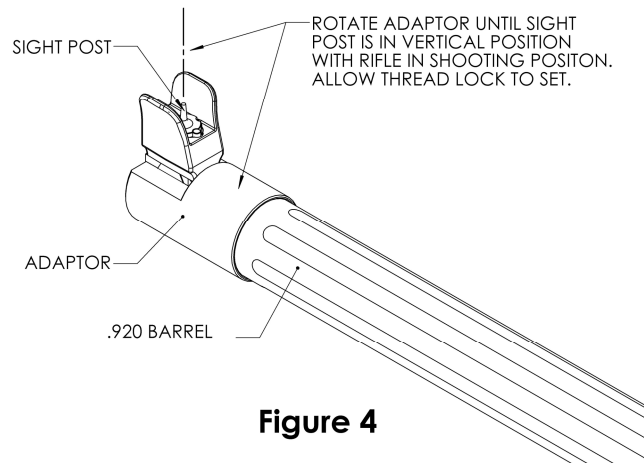


Figure 4

4. Wipe excess thread lock compound off of the assembly, being careful not to move the Adaptor out of alignment and allow the lock compound to set up per the instruction provided with the compound.
5. Congratulations, your Barrel adaptor is installed and ready to accept the Tech-SIGHTS TSR100 or TSR200 sights. See the instructions provided with the sights for assembly.