



**E. Arthur Brown Company Presents...**

# *Free Tech Reports*

Load Data, Techniques, Opinions, Articles and Other Information that May Be Helpful to You



**Trim Length for 6.5mm BRM and Other Cartridges - EABCO Recommendations, Reasons, Rationale, and Equipment**

[TC Encore](#) | [Ruger 10/22](#) | [Riflescopes](#) | [Ammunition](#) | [97D Rifles](#) | [Savage](#) | [Accessories](#)  
[Web Store](#) | [ViewCart](#) | [OrderInfo](#) | [Contact Us](#) | [Reviews](#) | [Muzzleloading](#) | [EABCO Home](#)

©copyright 1997-2021 E. Arthur Brown Company, 4088 County Road 40 NW, Garfield, MN 56332 \* 800-950-9088 \* [CONTACT US](#)

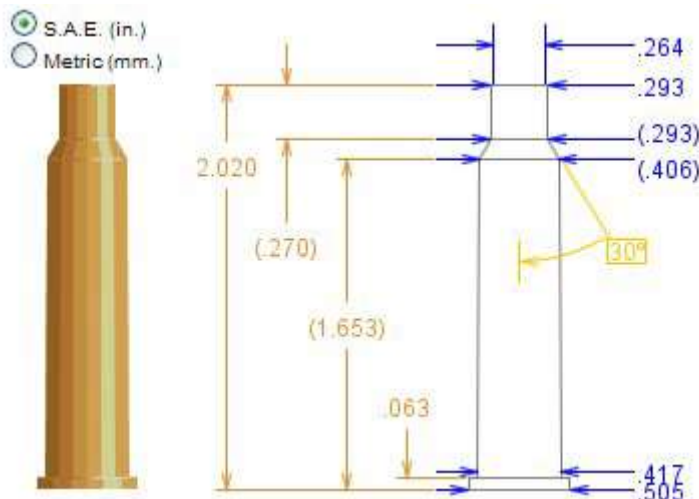
## Trim Length for 6.5mm BRM and Other Brass

There are two reasons to trim your brass: First is just to make sure it's not too long for your chamber. But second, is to even them all up to the same length for accuracy considerations.

**1. A Chamber Diagram (left)** will tell you the maximum length. If everything measures shorter than that, you shouldn't have to trim unless you want to even them all up. Chamber diagrams for most cartridges are listed at the [ammoguide.com](http://ammoguide.com) website.

**2. How to Choose an "Even-Them-Up" Length** - Quite simply, measure the length of each fired case and determine which one is the shortest. Then, just trim them all to match that shortest one.

Uniform case lengths improve the consistency of bullet alignment, exit gas pressure as the bullet leaves the case, and bullet retention friction in the case neck. If you haven't got a case trimmer, we recommend the [Forster Original Case Trimmer](#)... It's the easiest and most versatile case trimmer available.



6.5 BRM Chamber Diagram Courtesy of [AmmoGuide.Com](http://AmmoGuide.Com)

Article by Eben Brown, E. Arthur Brown Company, Inc

[Home](#) | [Web Store](#) | [ViewCart/Checkout](#) | [Shipping/Ordering Info](#) | [Join NRA](#) | [Join AGC](#) | [Free Tech Reports](#) | [Reviews](#) | [Email Bargains](#)  
 Thompson Center Arms \* Ruger 10/22 \* Savage \* 97D Rifles \* Riflescopes \* Muzzle Brakes \* Reloading \* Harris Bipods \* E. R. Shaw \* Lapua \* Choate  
**E. Arthur Brown Company, Inc, CONTACT US**, 4088 County Road 40 NW, Garfield, MN 56332  
 ph. 800-950-9088, FAX 320-852-2871, [Visit Our Online Store at eabco.net](http://Visit Our Online Store at eabco.net)